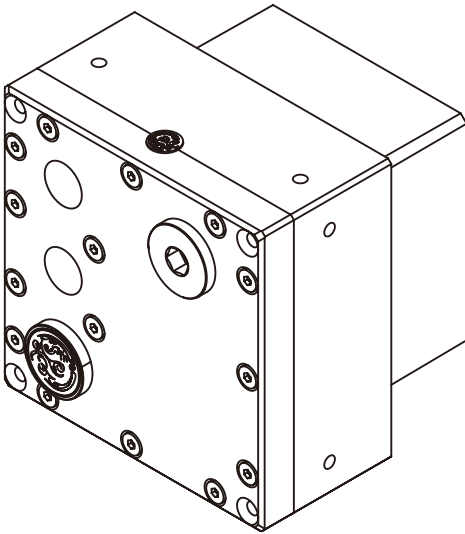


BPM-WTCR801

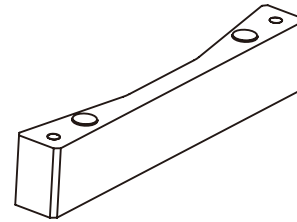
Bitspower CR801 Reservoir

Accessories

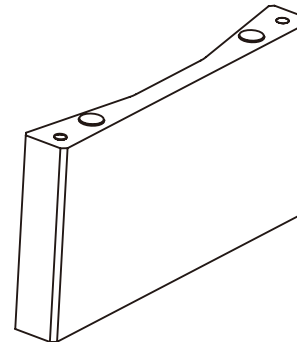
1 BPM-WTCR801 1 SET



2 Mounting bracket (short) 2 PCS



3 Mounting bracket (long) 2 PCS



4 M3x45mm Screw 4 PCS



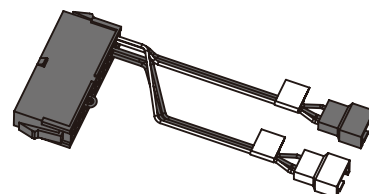
5 M3x5mm Screw 4 PCS



6 M4x6mm Screw 4 PCS

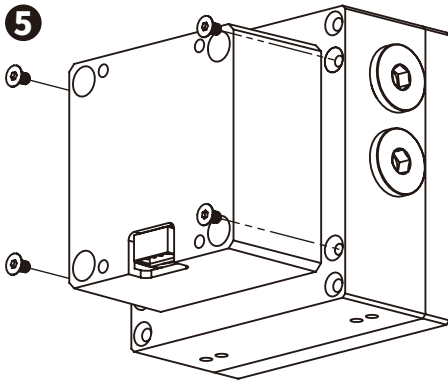


7 BPTA-PSC-SOC 1 PCS

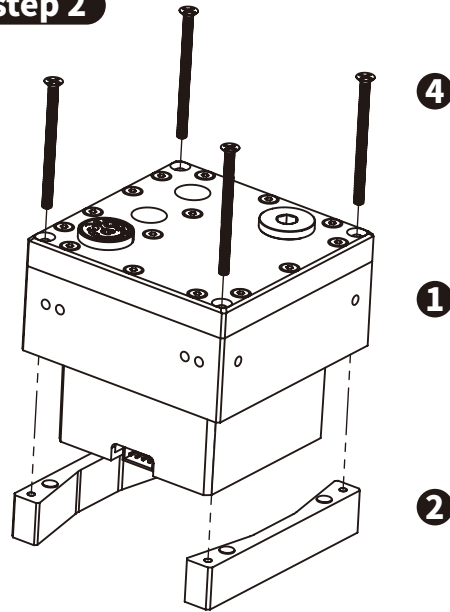


Notice

- Please read and carefully follow the installation guide in this manual prior to installing. The installation of this block requires some advanced knowledge about your hardware. As such, if you feel uncomfortable with the steps involved in installing this product, please reach out to our customer support for assistance.
- We recommend the use of a leak tester, such as our Bitspower Digital Leak Detector, after completing the assembly of your liquid cooling loop to make sure there are no leaks prior to filling up your loop with coolant.
- **NEVER** use the leak tester when liquid is present in the loop or when the pump is in operation.
- **DO NOT** exceed 0.5 kg/cm² or 7.0 PSI when using the leak tester. Excessive pressure exerted on your loop may result in damage to your liquid cooling components.
- Bitspower is not responsible for any potential damage from the use of a leak tester.
- **NEVER** overtighten or use excessive force during the installation of any components, unless otherwise stated in the instruction. Overtightening will result in damage to your components.
- Bitspower recommends the use of our Bitspower Pellucid Coolant for the best performance of your liquid cooling setup, as well as using Bitspower Dye for your desired color. We advise against the use of pure distilled water as it may lead to the development of scale and algae over time. Avoid using any other non-recommended coolants or liquid. The use of non-recommended coolants or liquid can result in unexpected abnormalities, such as peeling of the coating on your hardware, built-up of deposit or residue that will result in clogs, tube or O-ring degradation and deformation, or improper operation of the coolant pump. Bitspower is not responsible for any issues that may arise from the use of non-recommended coolant.
- **NEVER** mix or introduce components made from different kinds of metal to your liquid cooling loop. Never use Aluminum based liquid cooling components with Bitspower products. Doing this will result in serious damage and leaks with your liquid cooling components and will void your warranty. If you have any doubts or questions about the components you are using, please reach out to our customer support for assistance.
- Bitspower reserves the right to change the design and interpretations of our products without any prior notice. Actual design and color of product may differ from what is shown on our website.

Installation For Mounting bracket (short)
step 1


Assemble the M3x5mm screws

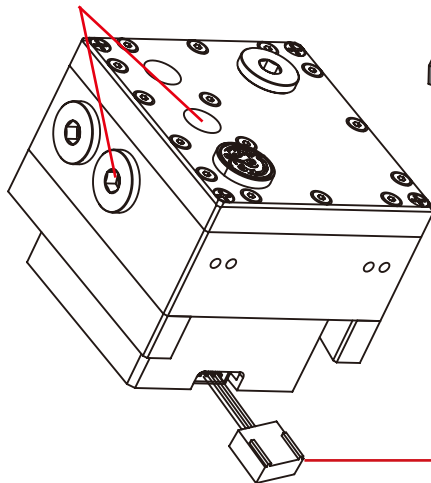
step 2


Install the mounting bracket (short)

step 3

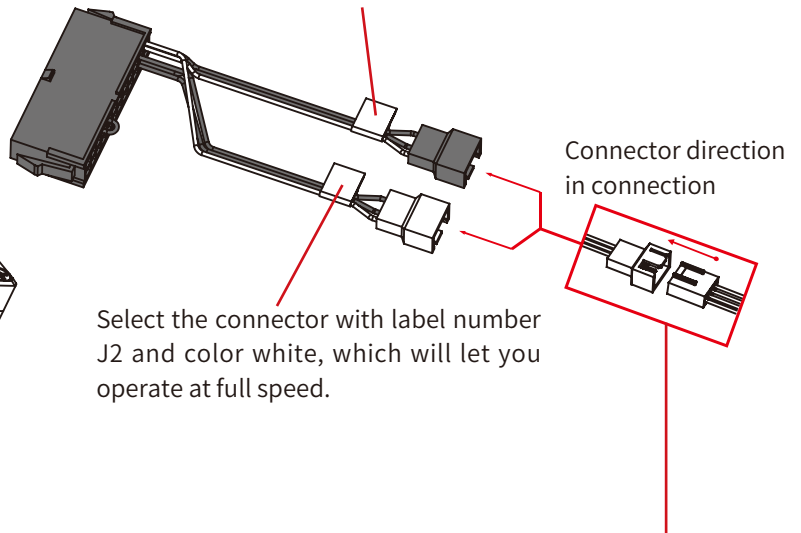
Choose the speed what you need.

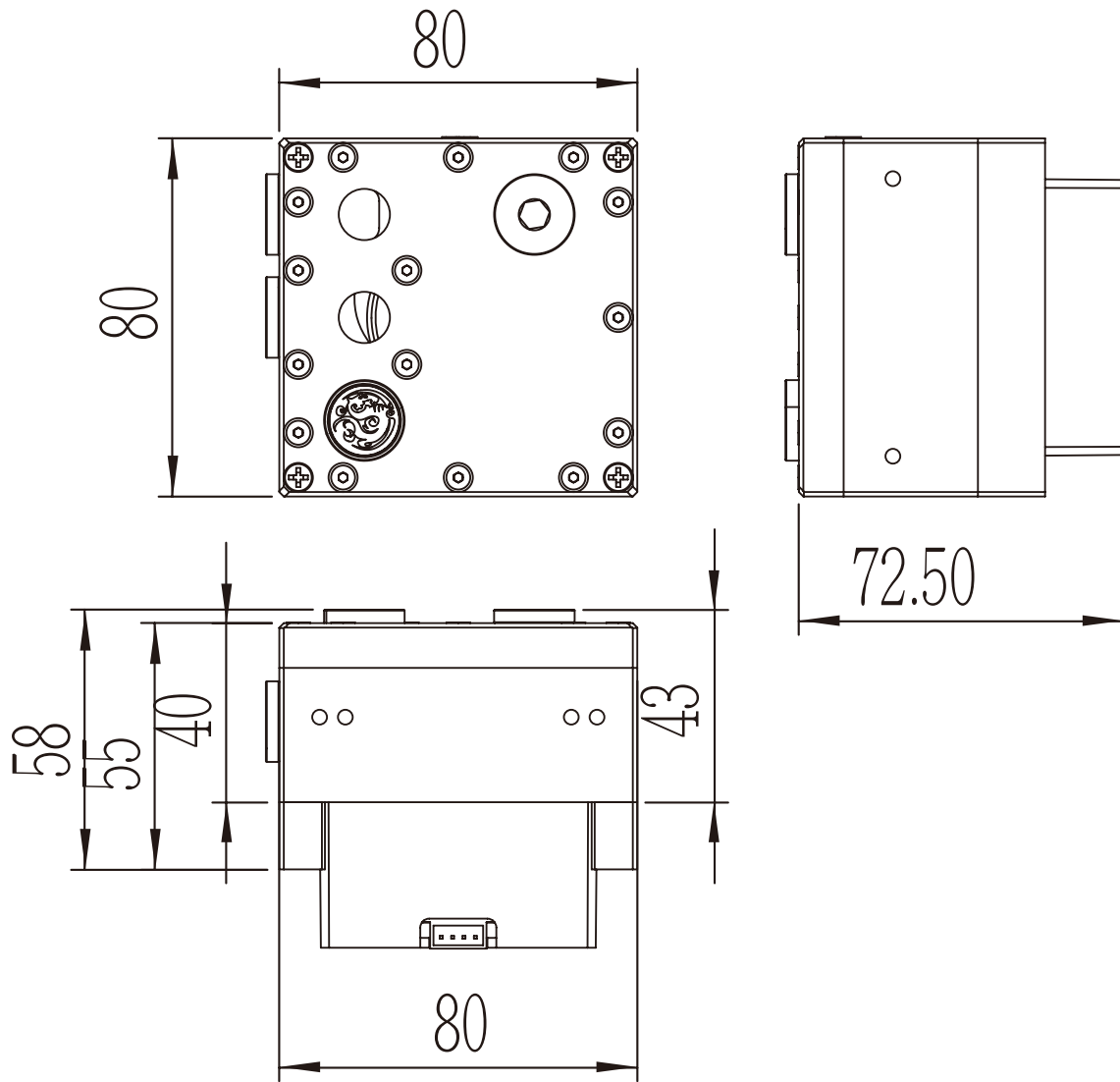
Two outlet ports — use either one as the outlet.


7

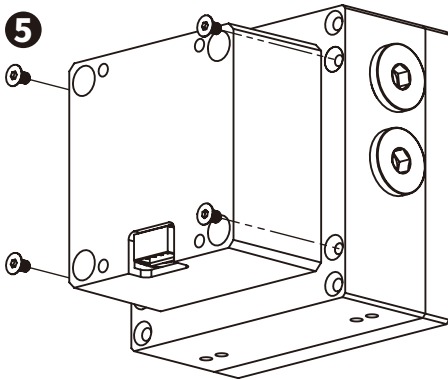
Select the connector with label number J1 and color black, which will let you operate at low speed.

Select the connector with label number J2 and color white, which will let you operate at full speed.

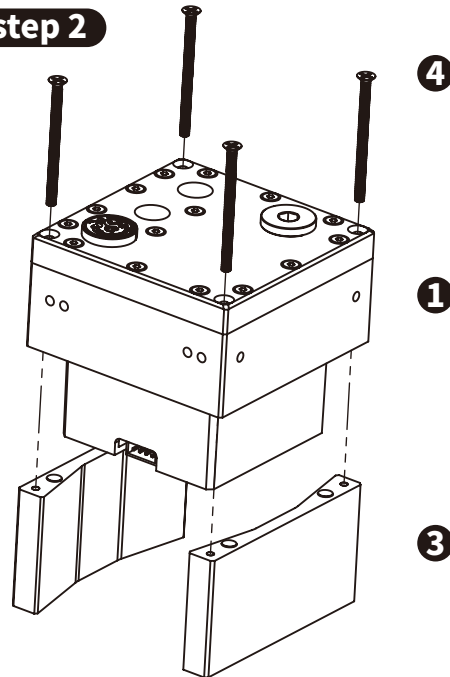




Dimension

Installation For Mounting bracket (long)
step 1


Assemble the M3x5mm screws

step 2


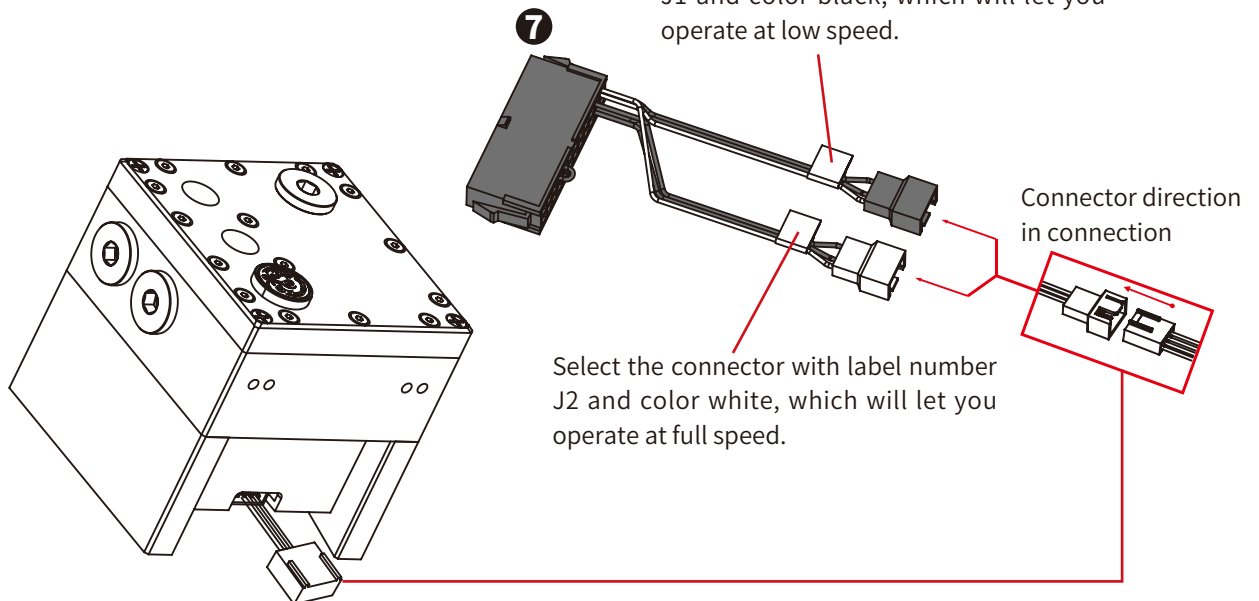
Install the mounting bracket (long)

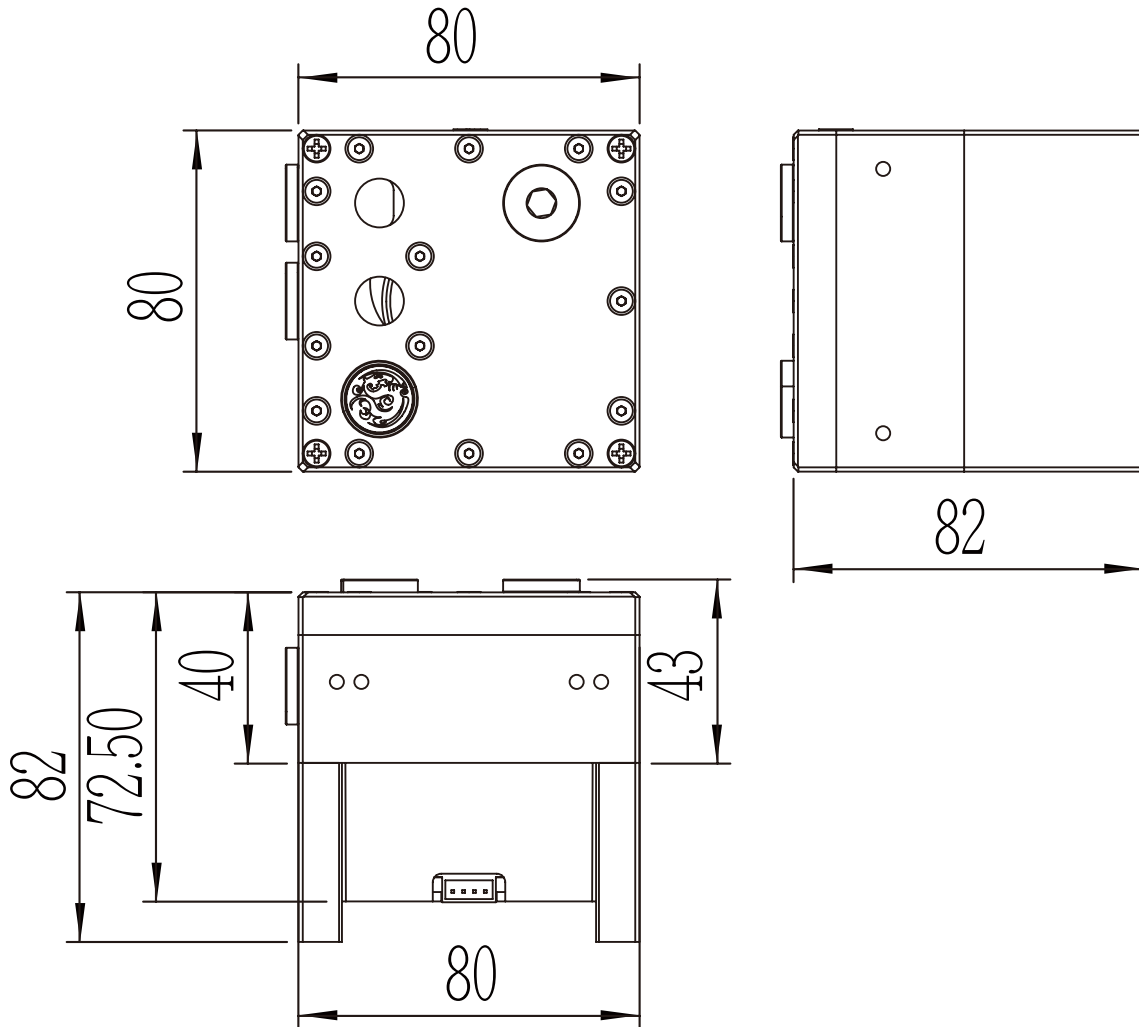
step 3

Choose the speed what you need.

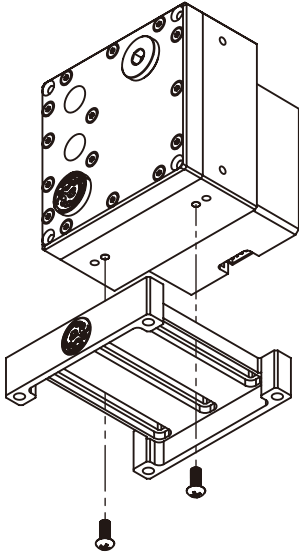
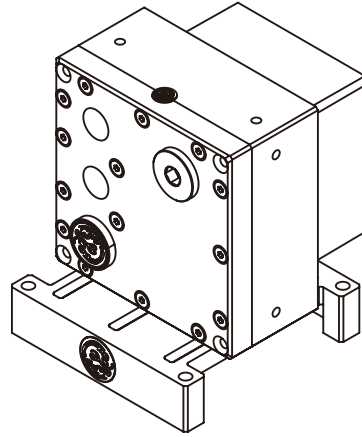
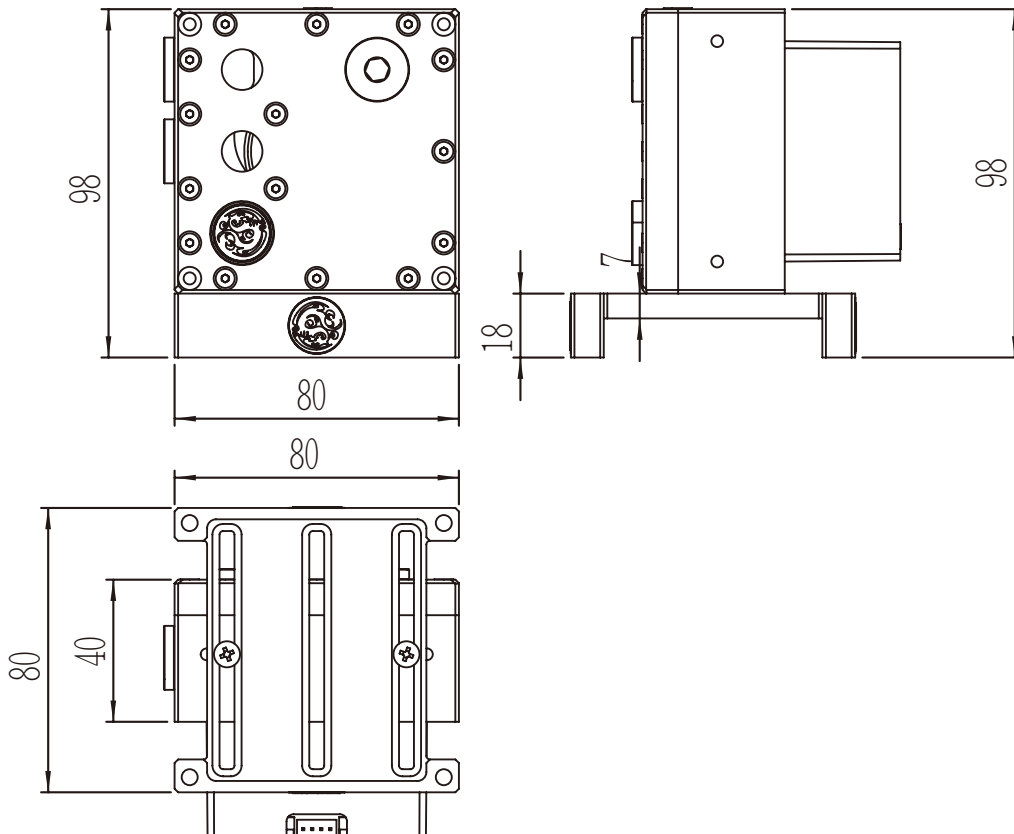
Select the connector with label number J1 and color black, which will let you operate at low speed.

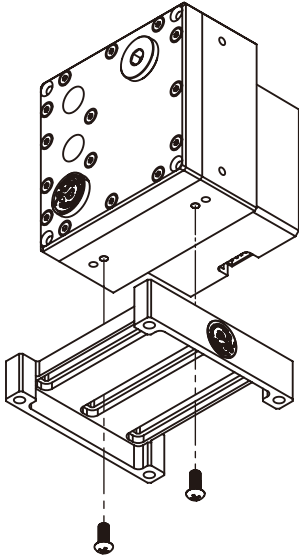
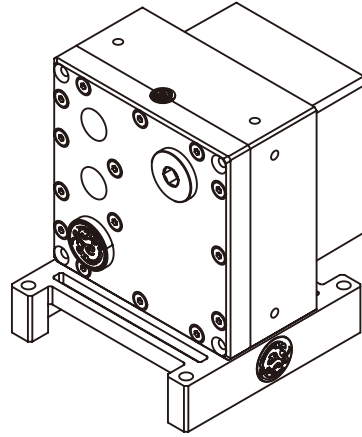
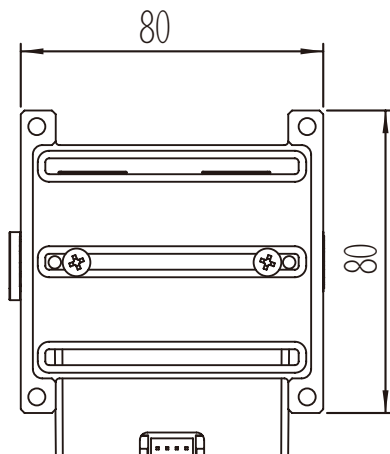
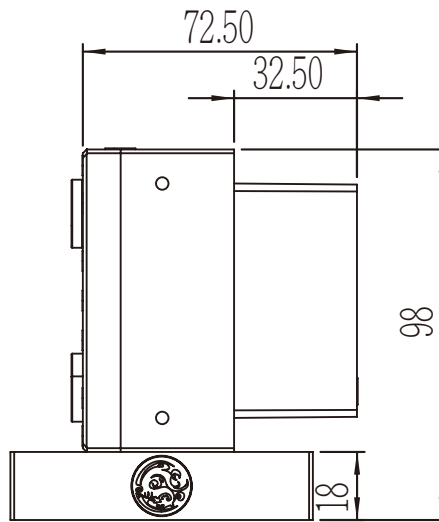
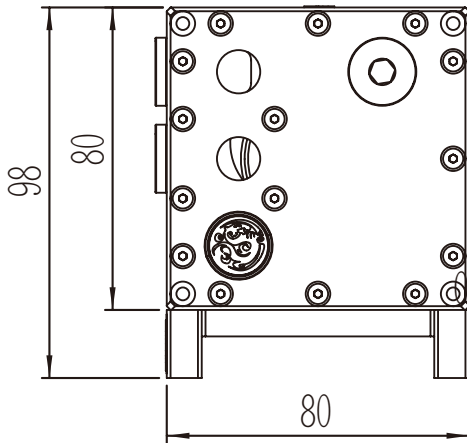
Select the connector with label number J2 and color white, which will let you operate at full speed.





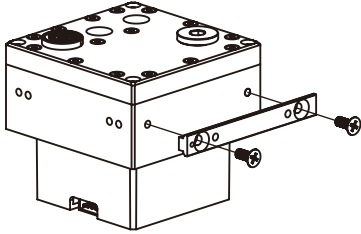
Dimension

Recommend For Vertical stand(Additional purchases)**Method A****step 1****step 2****step 3**

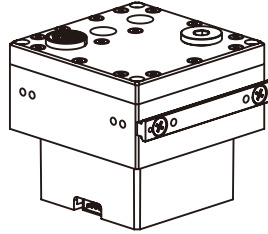
Method B**step 1****step 2****step 3**

Recommend For Lighting module(Additional purchases)

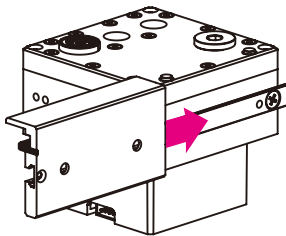
step 1



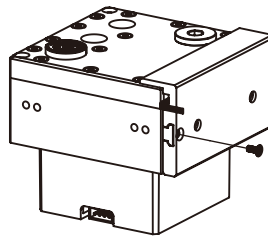
step 2



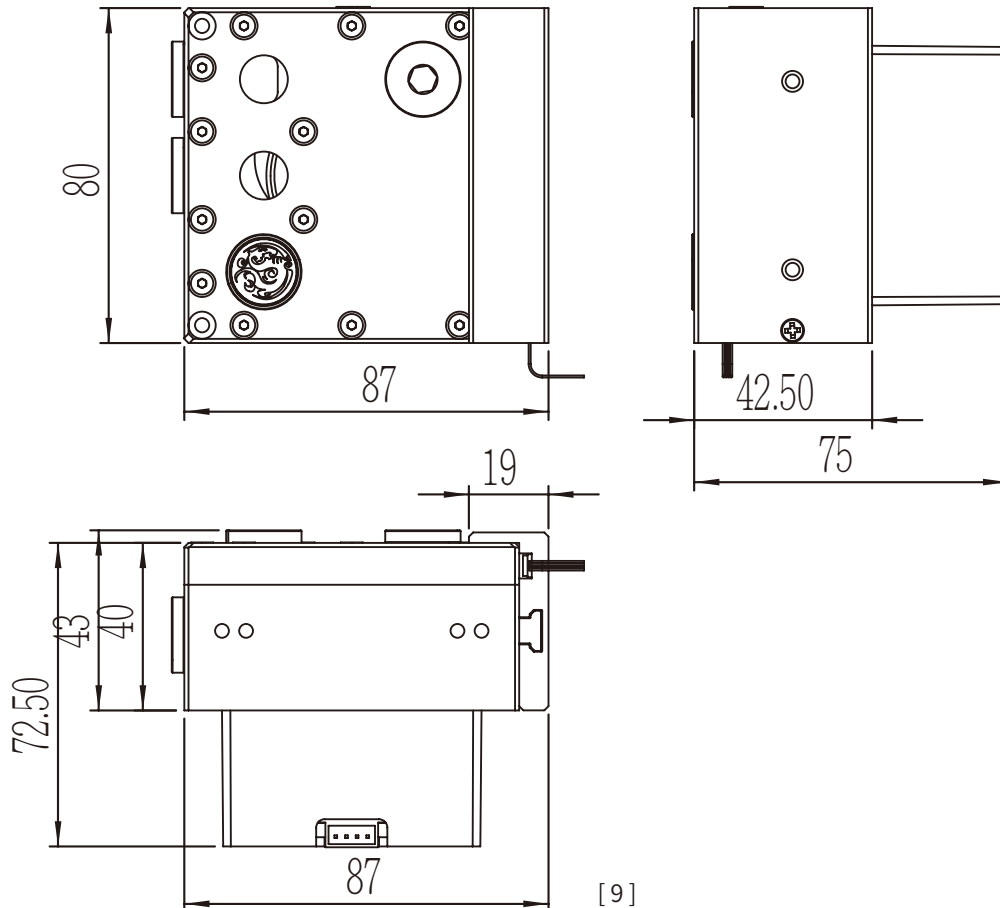
step 3



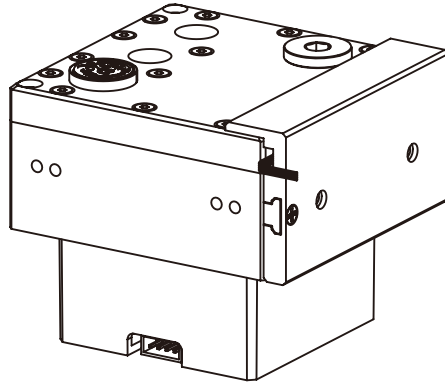
step 4



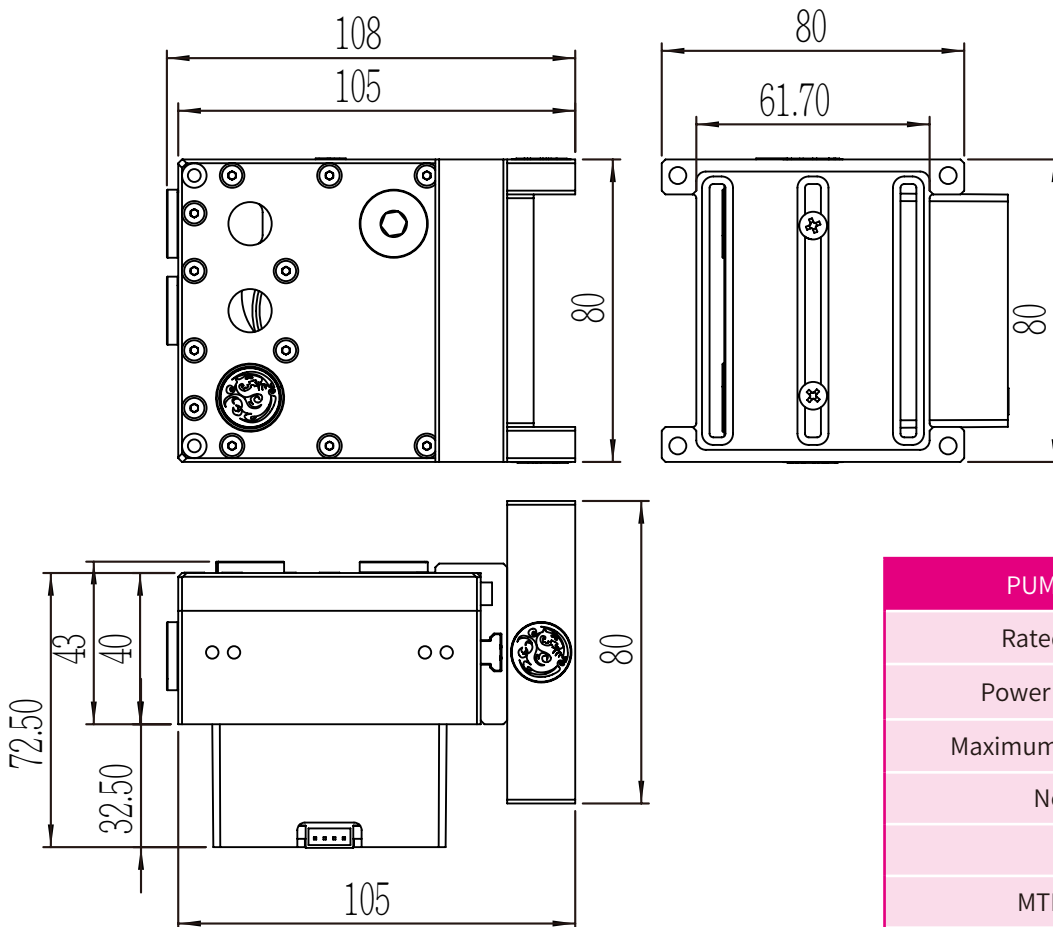
Dimension (After installing the lighting module)



The lighting module can be installed :



Dimension (After installing the lighting module and the vertical bracket)



PUMP SPECIFICATION

Rated voltage : 12V DC

Power consumption : 15W

Maximum flow : $11 \pm 15\%$ L/min

Noise : ≤ 40 dBA

PWM : Yes

MTBF : 15000 hours

Warranty : 2 years

Dimension: 62 x 62 x 46.7mm

Maximum lift of the water pump: 5.5 ± 0.5 m